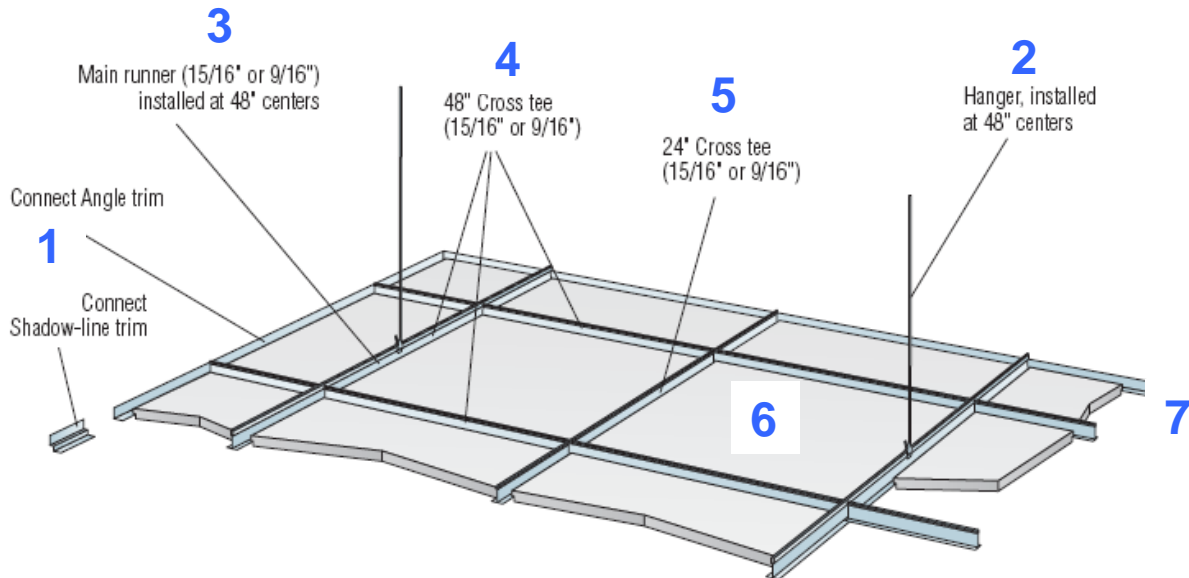
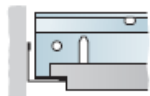


CertainTeed Ceilings

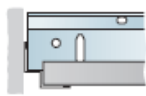
Standard Trim Edge/Reveal Edge/Narrow Reveal Edge Installation Instructions



Optional wall junctions for reveal edge panel



Rabbeted edge
with angle trim



Straight cut with
Shadow-line trim

Pre-Installation: Please read CertainTeed Ceiling's Pre-Installation Instructions before you begin these installation instructions.

1. Installing Wall Molding

- To install Wall Molding, in this case Connect Angle Trim, choose a height at least three inches below joists, existing ceilings, ducts, pipes, or wiring, to ensure clearance and maneuverability required to install the panels.
- Mark the desired height for the finished surface of the ceiling on all four walls.
- Attach Wall Molding using appropriate fasteners.

2. Install Hangers

- Mark lines for each of the main runners.
- Pull a string line along the path that the first main runner will take. Attach the line directly below the wall molding.
- Hangers should be placed every 48" along the main runners.

3. Install the First Main Runner

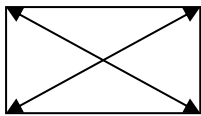
- Install the first section of main runner, with cut edge sitting on the wall molding.
- Attach the main runner to wire.

4. Install Border Cross Tees

- Establish the location of the first border cross tee.
- To cut the cross tee, place one end on top of the wall molding and against the wall, cut the cross tee directly at the mid point of the main runner (where it crosses the string line you set up).
- Spin the cut cross tee around and install the factory end into the main runner. Place the cut end of the cross tee on top of the wall molding.
- Clamp the cross tee where it sits on the wall molding (or rivet it), so that it does not fall or move.
- Repeat the process for the rest of the border tees.
- Install the remaining sections of Main Runner in the first line to reach the other wall. Be sure to check the level.
- Install the remaining cross tees.

5. Square the Grid System

- Install the first section of next main runner.
- Install two 4' cross tees in line with the border tees.
- Check to see if the system is square by measuring diagonally across the openings between the main runner and the cross tees. The measurements should be equal if the system is square.



- Install 2' cross tees as needed.
- Repeat Steps 3-5 until the ceiling grid system is completed for the room

6. Install Panels

- Put on white cotton gloves, so that the dirt and oil from your hands, does not get on the panels. (If gloves become soiled, replace them immediately.
- Start installing panels in the middle of the field.
- Maneuver and tilt the panels above the grid, then carefully rest the panels on the grid.

7. Install Border Panels

- Cut border panels by measuring each one individually. Use a straight edge to make cuts. If you are using Trim Edge panels, simply cut them. If you are using Reveal Edge or Narrow Reveal Edge, then you must cut the panel to mimic the factory edge.