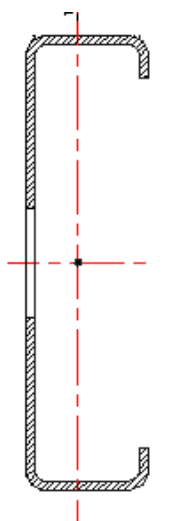




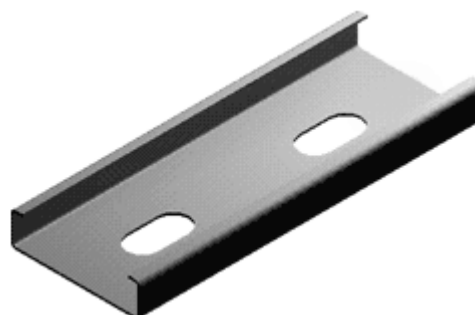
Armco Uruguay S.A. | info@armco.com.uy

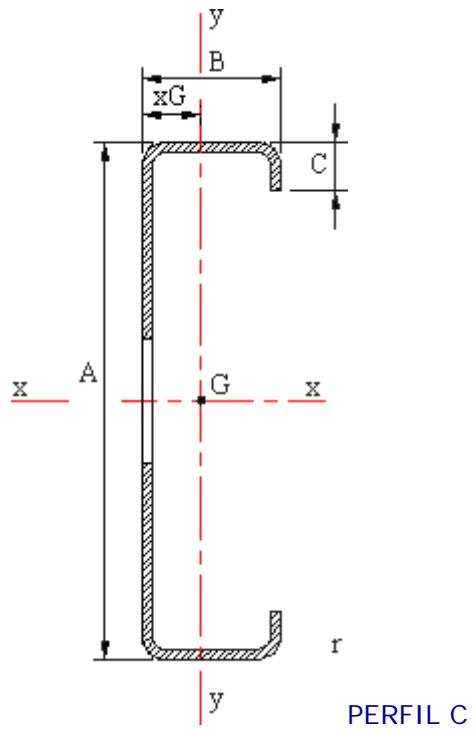
| Av. de las Instrucciones 2703 | Tel. (598-2) 222 32 23 |
| Montevideo-Uruguay |

oVivienda



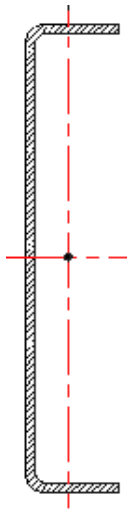
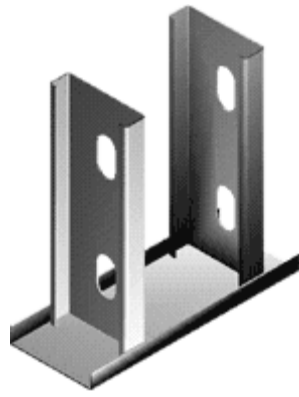
Perfil C
Perfiles de Acero Galvanizado para Viviendas



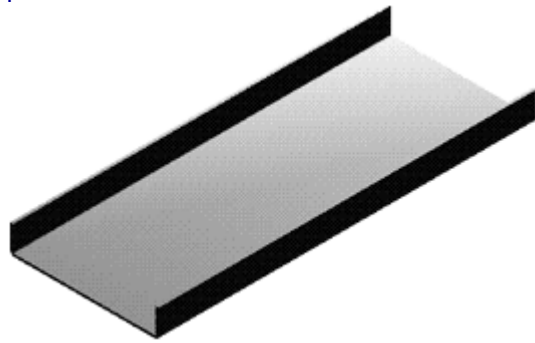


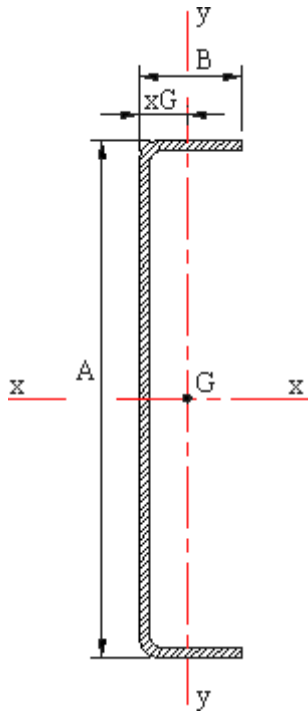
Perfil	Esp. (mm)	"A" (mm)	"B" (mm)	"C" (mm)	r (mm)	Peso Kg./mt	Area cm ²	Ix cm ⁴	Wx cm ³	ix cm	xG cm	Iy cm ⁴	Wy cm ³	iy cm
C-100	0.89	100.0	40.0	12.0	1.9	1.46	1.89	29.82	5.96	3.96	1.24	4.25	1.54	1.95
C-100	1.24	100.0	40.0	12.0	2.5	1.86	2.45	38.10	7.62	3.94	1.24	5.36	1.94	1.95
C-100	1.59	100.0	40.0	12.0	3.2	2.34	3.09	47.67	9.53	3.92	1.24	6.62	2.40	1.92
C-150	0.89	150.0	40.0	12.0	1.9	1.83	2.37	77.26	10.30	5.70	1.0	4.80	1.60	1.74
C-150	1.24	150.0	40.0	12.0	2.5	2.35	3.07	99.05	13.21	5.67	1.0	6.06	2.02	1.73
C-150	1.59	150.0	40.0	12.0	3.2	2.96	3.89	124.40	16.59	5.65	1.0	7.48	2.49	1.71
C-150	2.00	150.0	40.0	12.0	4.0	3.63	4.82	152.22	20.30	5.62	1.0	8.96	2.99	1.69
C-200	1.24	200.0	40.0	12.0	2.5	2.84	3.69	198.39	19.84	7.32	0.84	6.53	2.07	1.57
C-200	1.59	200.0	40.0	12.0	3.2	3.59	4.69	249.89	24.99	7.29	0.84	8.05	2.55	1.56
C-200	2.00	200.0	40.0	12.0	4.0	4.42	5.82	306.62	30.66	7.26	0.84	9.64	3.05	1.54

Montaje perfil C



profil U





PERFIL U

Perfil	Espesor (mm)	"A" (mm)	"B" (mm)	R.máx (mm)	Peso Kg./mt	Area cm ²	I _x cm ⁴	W _x cm ³	i _x cm	xG cm	I _y cm ⁴	W _y cm ³	i _y cm
U-102	0.89	102.0	30.0	1.9	1.18	1.53	22.51	4.41	3.84	0.59	1.19	0.49	1.06
U-103	0.89	103.0	30.0	2.5	1.53	1.99	29.61	5.75	3.85	0.60	1.53	0.64	1.06
U-104	0.89	104.0	30.0	3.2	1.95	2.55	38.18	7.34	3.87	0.61	1.92	0.81	1.06
U-152	0.89	152.0	30.0	1.9	1.56	2.00	59.43	7.82	5.44	0.46	1.30	0.51	0.93
U-153	0.89	153.0	30.0	2.5	2.02	2.62	77.85	10.18	5.45	0.48	1.67	0.66	0.93
U-154	0.89	154.0	30.0	3.2	2.57	3.34	100.05	12.99	5.46	0.49	2.10	0.84	0.93
U-155	0.89	155.0	30.0	4.0	3.20	4.18	125.41	16.18	5.47	0.50	2.58	1.03	0.93
U-203	0.89	203.0	30.0	2.5	2.51	3.24	158.81	15.65	7.00	0.40	1.75	0.67	0.84
U-204	0.89	204.0	30.0	3.2	3.20	4.15	203.77	19.98	7.00	0.41	2.20	0.85	0.84
U-205	0.89	205.0	30.0	4.0	3.98	5.18	255.11	24.89	7.01	0.42	2.71	1.05	0.84